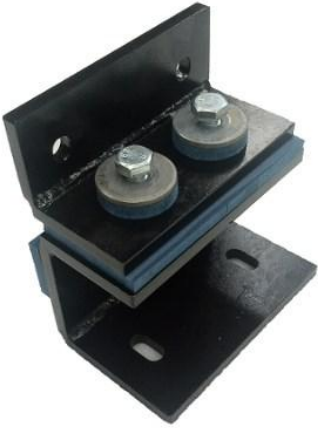


Vibrabsorber SNUBBER ANTI-SEISMIC



These type of mounts are designed for use in locations subject to earthquakes or other external forces which could displace equipments.

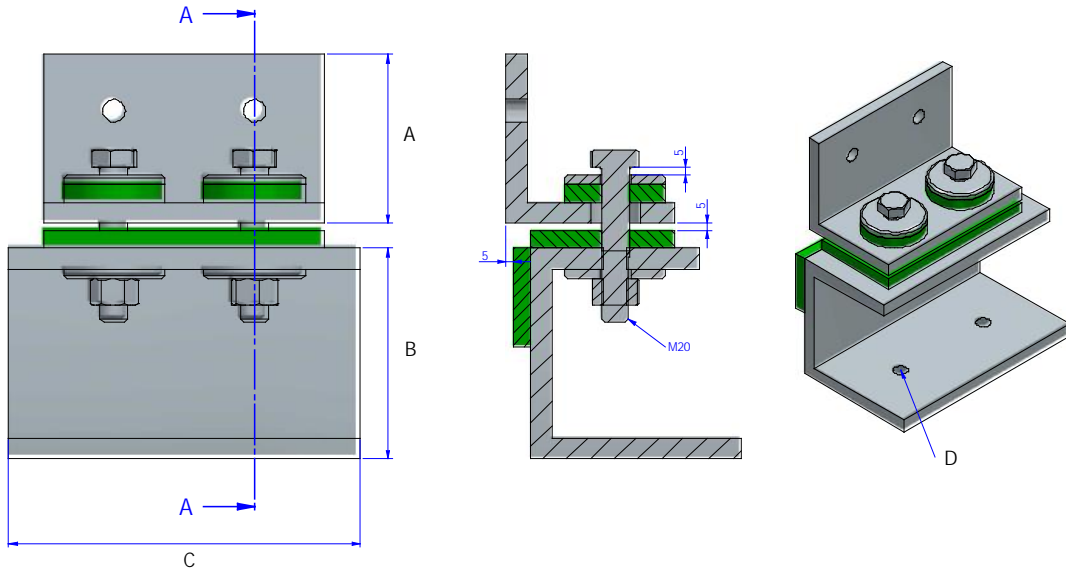
TECHNICAL CHARACTERISTICS

This model is intended to limit lateral and vertical machine movements.



Vibrabsorber SNUBBER ANTI-SEISMIC

DRAWINGS



DIMENSIONS

Type	SUMMARY	Code
SNUBBER 4 ANTI-SEISMIC	Dimensions A, B, C and D could vary according to the selected mount and the characteristics of the frame	20670